



## AMW-2318AX

Industrial Stainless Steel NEMA 4X / IP66 Wi-Fi  
Mobile Operator Terminal Stations

### Features

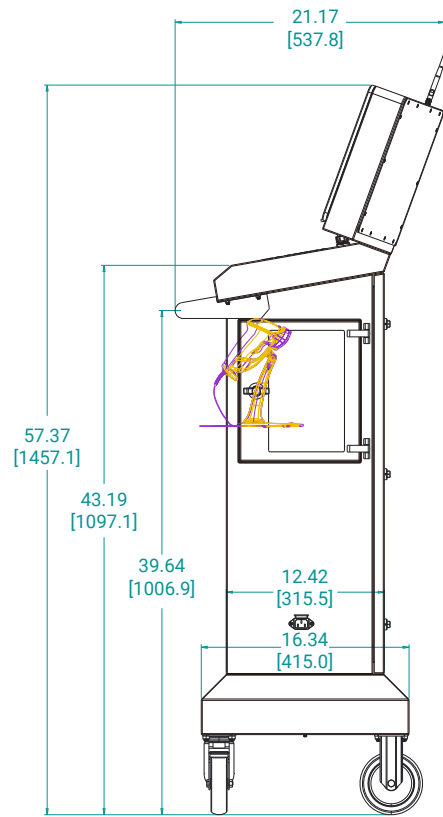
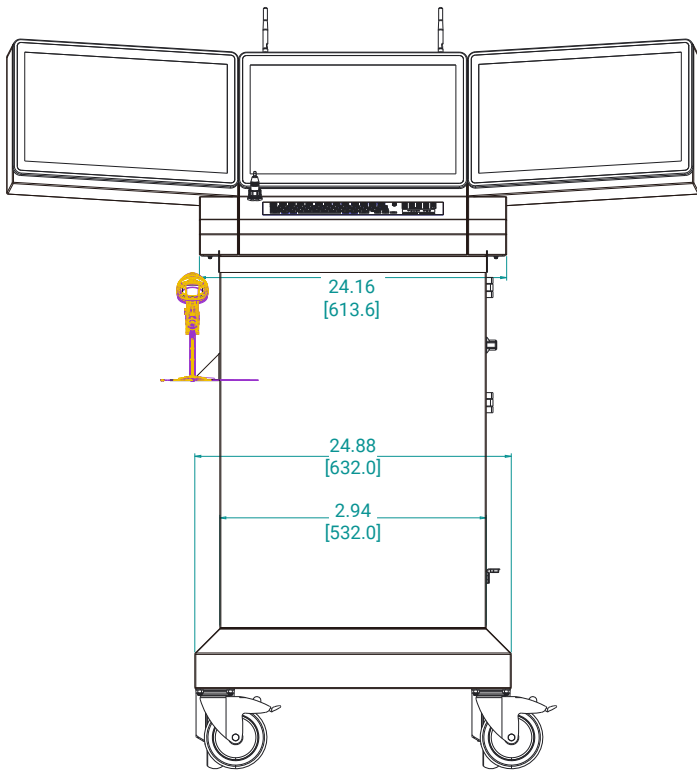
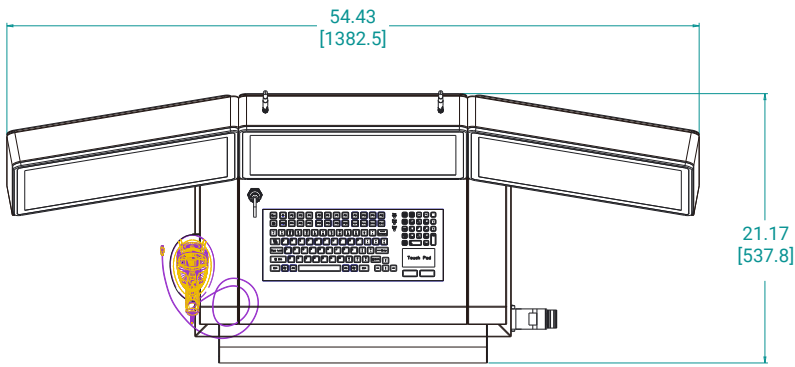
- 3 x 18.5-inch Displays
- Native Resolution at 1920 x 1080
- 2.6/3.4 GHz i7-6600U/2.4/3.0 GHz i5-6300U, 1.6 GHz Celeron-3855U
- Up to 32GB DDR4 Memory
- Wi-Fi Module Included
- Battery Option
- Projected Capacitive Touchscreen
- NEMA 4X / IP66 Stainless Steel Fully Closed Enclosure
- Waterproof Keyboard and Pointing Device
- ThinManager Ready Version Available
- Three Keyboard Option

### Specifications

Model Name	AMW-2318AX
	H01
<b>LCD Display</b>	
Display Size (Diagonal)	Three 18.5-inch LCD Display
Max Resolution	1920 x 1080
Backlight Lifetime (Hours)	50,000 hours
<b>Visual Characteristics</b>	
Colors	16.7 million
Aspect Ratio	16:9
Viewing Angle (V/H)	178° / 178°
Contrast Ratio	1000:1
Brightness	350 nits
<b>Touch Screen</b>	
Technology	Projected Capacitive
Interface	USB
Driver	Windows 10
<b>System</b>	
CPU	Intel i7-6600U CPU
Chipset	Skylake
Memory	Up to 16GB DDR4 SO-DIMM
Video Controller	Intel HD Graphics 520
External Video Output	N/A
Storage Option	2.5" SSD
Compact Flash	Optional
Keyboard	Membrane or Silicon Rubber Keyboard
Mouse	Pointing Device or Touch Pad
Audio	N/A
Watchdog Timer	Programmable 1 - 255 sec
Remote Boot	N/A
Expansion Slot	N/A
<b>I/O Communication</b>	
USB Port	2 x USB 2.0 (1x Internal and 1x External)
Serial Port	N/A
IEEE 1394	N/A
LAN / Wi-Fi	Wi-Fi
Parallel	N/A
GPIO	N/A
<b>Smart Battery</b>	
Internal Battery	Optional 1024 W/h Lithium Battery
<b>OS Support</b>	
OS Support	Windows 10
<b>Power/Thermal Specs</b>	
Power Requirement (Max)	110VAC~220VAC
Power Consumption (Average)	86W (Without Charging)
Recommended Power Supply	Included
Heat Dissipation (Average)	293 BTU/hr
<b>Physical Specification</b>	
Mounting	N/A
Net Weight	--
Dimension (W x H x D)	54.43 x 57.37 x 21.17 inch 1382.5 x 1457.1 x 537.8 mm
<b>Environmental</b>	
Operation Temperature	0~35°C (32~95°F)
Storage Temperature	-20~60°C (-4~140°F)
Relative Humidity	0~95%
IP/MENA Rating	Meets NEMA 4X / IP66
Certification	N/A

# Dimension Drawing

Model Name: AMW-2318AX  
 Size Unit: inch(mm)



## Ordering Information

Item	AMW-2318AX H01-007-001A	AMW-2318AX-H01-035-701A
LCD Display	3x 18.5" LCD / 1920 x 1080	3x 18.5" LCD / 1920 x 1080
Touch Screen	Projected Capacitive	Projected Capacitive
Enclosure	316L Stainless Steel	316L Stainless Steel
CPU	Celeron 3885 CPU	2.6/3.4 GHz i7 6600U
Memory	8GB DDR4	16GB DDR4
Storage	N/A	2.5" SATA SSD
Wi-Fi	Wi-Fi Module	Wi-Fi Module
Keyboard Option	KB-115A-AX	KB-115A-AX
Remote Boot	ThinManager Ready	N/A
Operating System	N/A	Optional
1024A/h Battery	Optional	Optional
Power Supply	110/220VAC Input	110/220VAC Input

Item	AMW-2318AX H01-007-001B	AMW-2318AX-H01-035-701B
LCD Display	3x 18.5" LCD / 1920 x 1080	3x 18.5" LCD / 1920 x 1080
Touch Screen	Projected Capacitive	Projected Capacitive
Enclosure	316L Stainless Steel	316L Stainless Steel
CPU	Celeron 3885 CPU	2.6/3.4 GHz i7 6600U
Memory	8GB DDR4	16GB DDR4
Storage	N/A	2.5" SATA SSD
Wi-Fi	Wi-Fi Module	Wi-Fi Module
Keyboard Option	KB-115B-AX	KB-115B-AX
Remote Boot	ThinManager Ready	N/A
Operating System	N/A	Optional
1024A/h Battery	Optional	Optional
Power Supply	110/220VAC Input	110/220VAC Input

Item	AMW-2318AX H01-007-001C	AMW-2318AX-H01-035-701C
LCD Display	3x 18.5" LCD / 1920 x 1080	3x 18.5" LCD / 1920 x 1080
Touch Screen	Projected Capacitive	Projected Capacitive
Enclosure	316L Stainless Steel	316L Stainless Steel
CPU	Celeron 3885 CPU	2.6/3.4 GHz i7 6600U
Memory	8GB DDR4	16GB DDR4
Storage	N/A	2.5" SATA SSD
Wi-Fi	Wi-Fi Module	Wi-Fi Module
Keyboard Option	KB-115C-AX	KB-115C-AX
Remote Boot	ThinManager Ready	N/A
Operating System	N/A	Optional
1024A/h Battery	Optional	Optional
Power Supply	110/220VAC Input	110/220VAC Input